

ZMA2-52D

Using the Open Edge Adapter

-
-
- To ensure safe use with a full understanding of this machine's performance, please be sure to read through this manual completely.
 - Store this manual in a safe place where it can be referred to when needed.
 - Reproduction, citation, or translation, in whole or in part, of this manual is prohibited without the express written consent of DGSHAPE Corporation.
 - The contents of this operation manual and the specifications of this product are subject to change without notice.
 - DGSHAPE Corporation assumes no responsibility for any damage that may occur through use of this product, regardless of any failure to perform on the part of this product or of any errors in this document. Damage includes but is not limited to damage caused by the specifications or performance of the product, damage caused by non-use of the product, and damage caused by deliverables obtained through use of this product. Such damage can be either direct or indirect.
-
-

Company names and product names are trademarks or registered trademarks of their respective holders.

Copyright © 2021 DGSHAPE Corporation

<https://www.dgshape.com/>

Contents

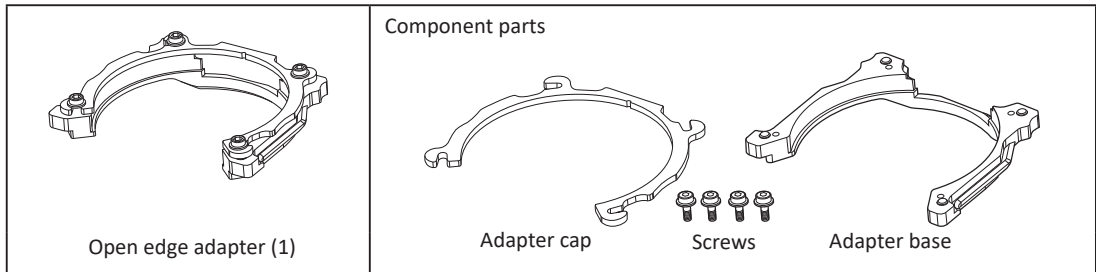
- Contents..... 1
- Using the Open Edge Adapter..... 2
 - What This Document Assumes 2
 - Included Items 2
 - Items to Prepare Yourself..... 2
 - Usage Method..... 3

Using the Open Edge Adapter

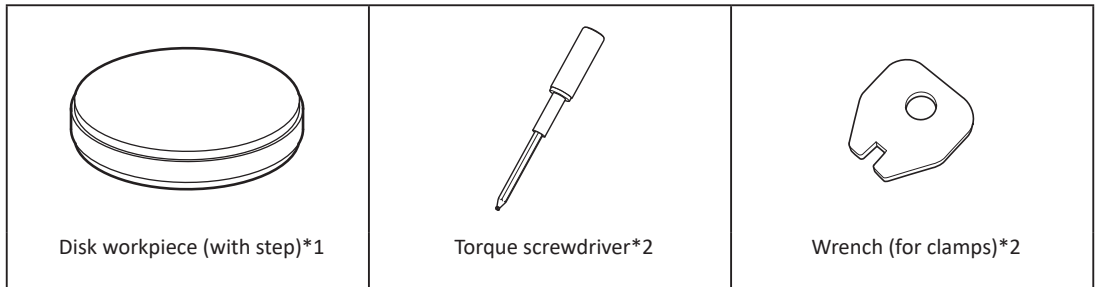
What This Document Assumes

- This document describes how to use the DWX-52D open edge adapter.
- Refer to the DWX-52D User's Manual for information such as important notes and basic usage guidelines for using the DWX-52D.

Included Items



Items to Prepare Yourself



*1: Workpiece size

Step section: 98.5 mm (3.88 in.) (diameter), 10 mm (0.39 in.) (height)

Body section: 95 mm (3.74 in.) (diameter), 60 mm (2.36 in.) max. (height)

*2: Item included with the DWX-52D

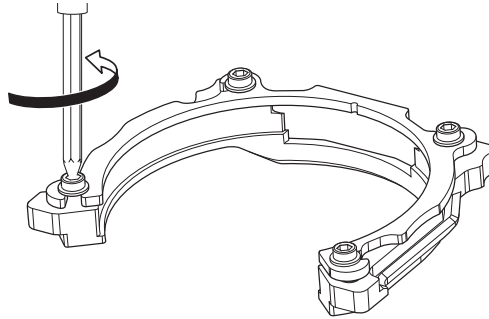
Usage Method

1. Mount the workpiece on the open edge adapter.

- 1 Use a torque screwdriver to loosen the adapter screws (in four locations), turning them approximately four times.

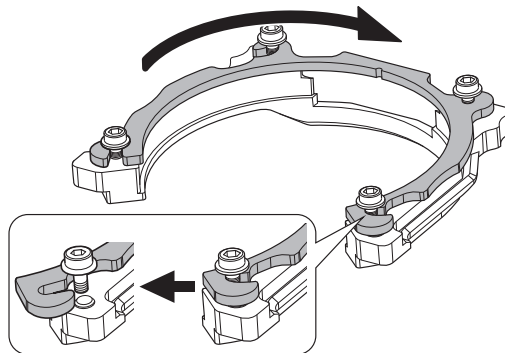
MEMO

To improve the efficiency of the work and to prevent the loss of the screws, it is not necessary to remove the screws from the open edge adapter.

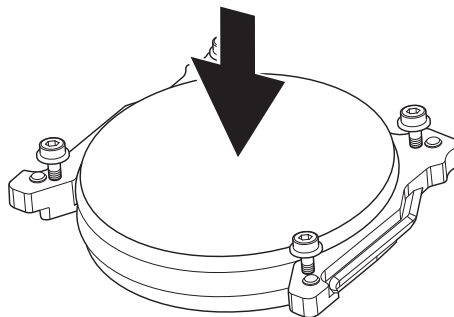


2 Remove the adapter cap.

Turn the adapter cap in the direction of the arrows to remove it.

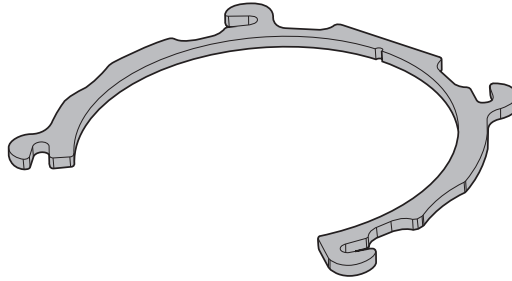


3 Set a disk workpiece in the open edge adapter.



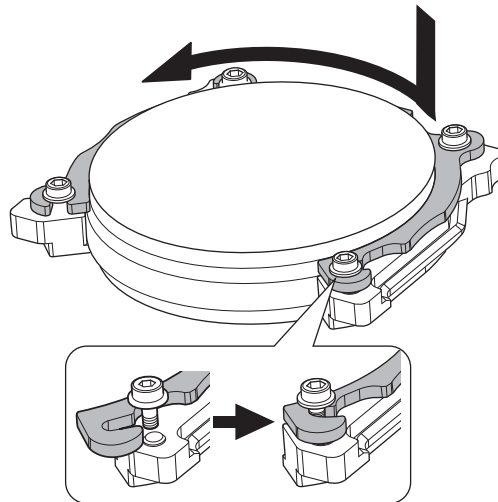
4 Attach the adapter cap.

- ① Orient the adapter cap removed in step 2 as shown in the following figure.



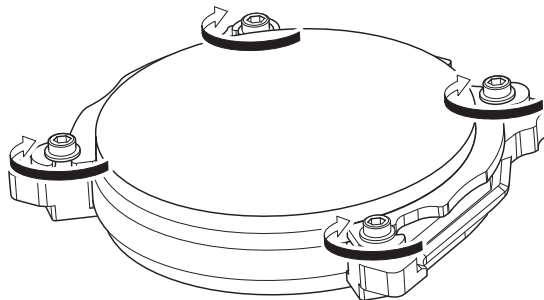
- ② Turn the adapter cap in the direction indicated by the arrow to attach it.

Check that the adapter cap hooks have caught the screws securely.



- ③ Temporarily tighten the screws.

Temporarily tighten the screws (in four locations) so that their seats come into contact with the adapter cap.



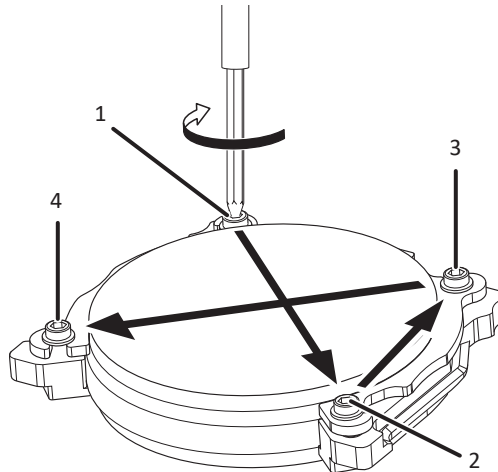
- ④ Fully tighten the screws across the diagonals in the order of (1), (2), (3), (4).

Tighten the screws until the torque screwdriver clicks.

Important

To prevent disk workpiece damage, follow the precautions listed below.

- Use the torque screwdriver included with the DWX-52D to tighten the screws.
- Be sure to tighten the screws across the diagonals.

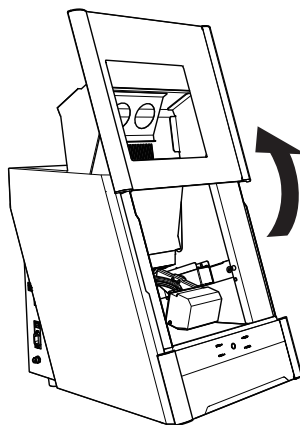


2. Attach the adapter to the machine.

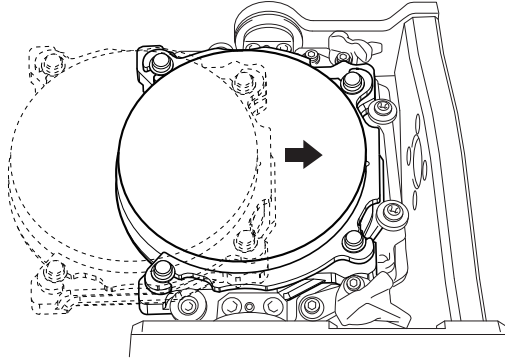
- ① Switch on the machine's power switch.

☞ Refer to the DWX-52D User's Manual.

- ② Once initialization completes, open the front cover.

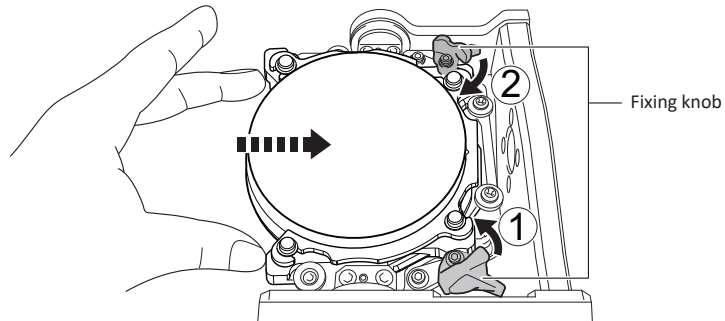


- 3 Orient the parts as shown in the figure, and then insert the adapter into the clamp.



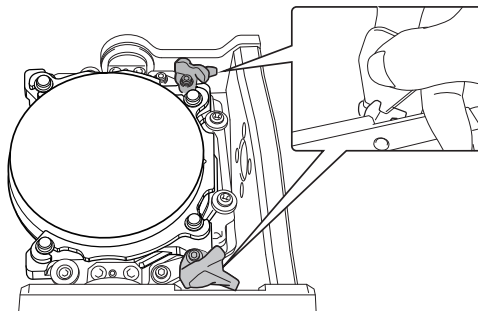
- 4 Secure the adapter.

As shown in the figure, turn the fixing knobs (in two locations) in the directions of the arrows while pressing in on the adapter.

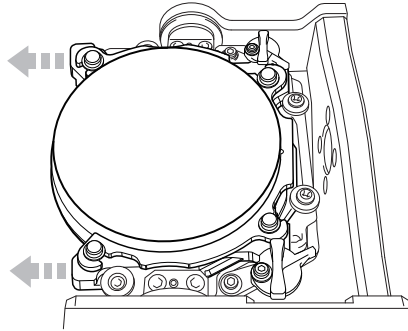


MEMO

If it is difficult to turn the knobs by hand, use the wrench (for clamps) included with the DWX-52D.



- 5** Lightly tug on the adapter to check that it does not come loose.



- 6** Close the front cover.

